

**S VAGE DESIGN**

**DESIGN WITH MADDOX - MADDOX MINI  
DRINKING GLASS RACK**

**ENGINEERED BEAUTY**  
SINCE 1910 / SYD - AUS



## WELCOME TO MADDOX MINI

---

The Maddox Drinking Glass Rack accessorises the Maddox system to offer more storage solutions. Integrated into a Maddox shelf, the rack is designed to store your stemmed glasses and is matched to the same material or finish of your Maddox frame.

The Drinking Glass Rack is also available as a stand alone product that enables you to add Maddox to existing shelves or spaces when only the rack is required. The Maddox System is a carbon neutral product.



Follow these 4 steps on our specification sheet (pg 4) to choose your Maddox Drinking Glass Rack for your project,

① MOUNTING TYPE

② SHELF THICKNESS

③ SIZE

④ FINISH



Maddox components being machined by our engineers in our Sydney factory.



# 1 MOUNTING TYPE

There are two types of mounting available to suit your shelf type.

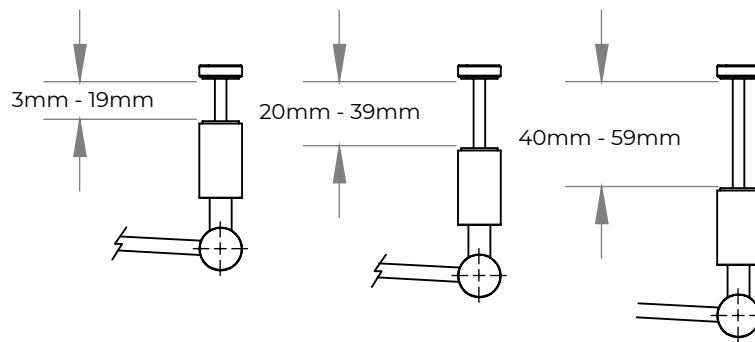


THROUGH - Standard with our Maddox shelves

SURFACE MOUNT

# 2 SHELF THICKNESS

For through mounted there are three screw length options to suit the majority of shelf thicknesses. Your shelf requires  $\varnothing$  6mm Holes for screws



# 3 SIZE

Our Drinking Glass Racks are available in two sizes to suit shelves a minimum of 600 wide and 900 wide.

## DRINKING GLASS RACK 600

Holds x12 glasses up to  $\varnothing$  95mm

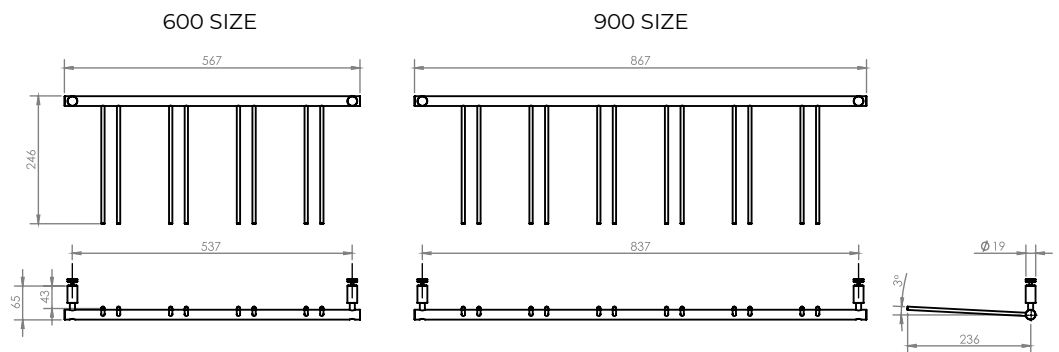
Holds x8 glasses up to  $\varnothing$  125mm

## DRINKING GLASS RACK 900

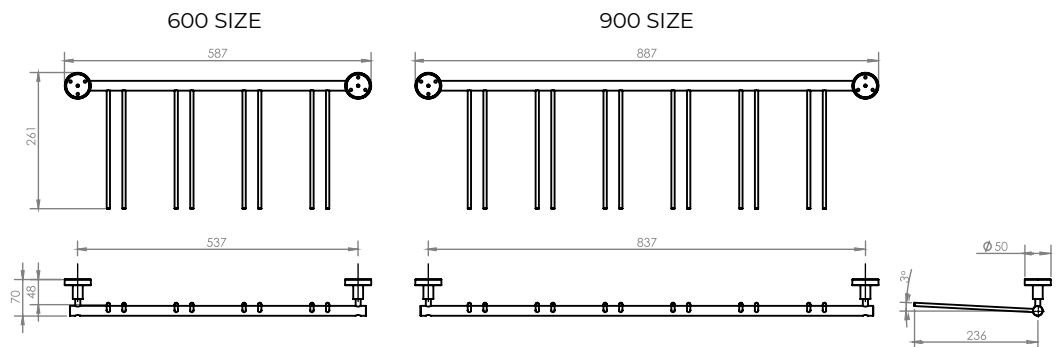
Holds x18 glasses up to  $\varnothing$  95mm

Holds x12 glasses up to  $\varnothing$  125mm

### THROUGH MOUNT

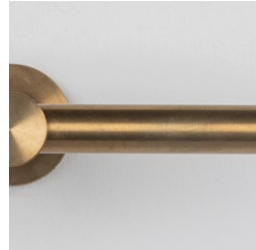


### SURFACE MOUNT

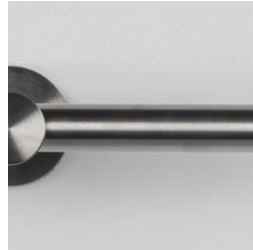


④ FINISH

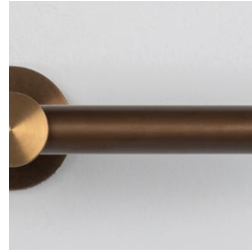
Choose from our four signature finishes\*



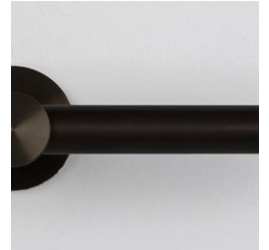
Brass



Stainless Steel

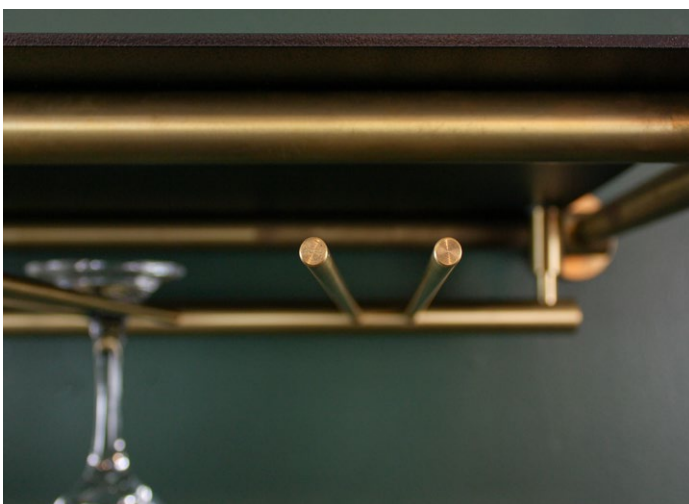


Aged Bronze



Blackened Brass

\* Our metals are all living finishes. Find out more here - [savagedesign.com.au/portfolio/living\\_finishes/](https://savagedesign.com.au/portfolio/living_finishes/)



## SPECIFICATION SHEET

---

### ① MOUNTING TYPE

QTY

THROUGH (go to step 2)

SURFACE MOUNTED (go to step 3)

### ② SHELF THICKNESS

3mm - 19mm

20mm - 39mm

40mm - 59mm

### ③ SIZE

QTY

600 Size

900 Size

### ④ FINISH

Brass

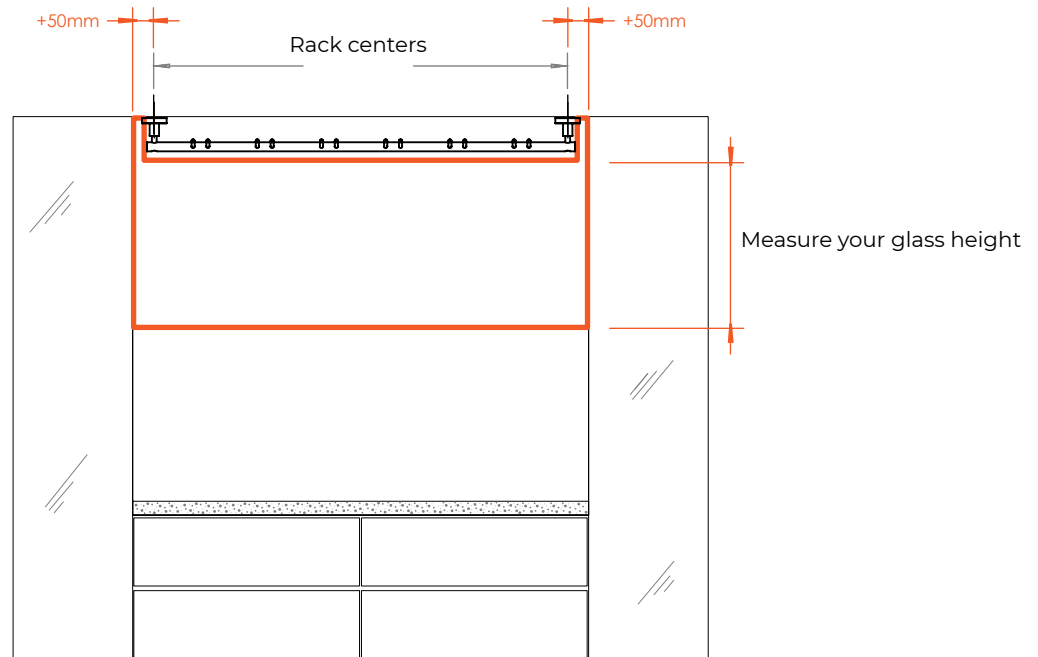
Stainless Steel

Aged Bronze

Blackened Brass

## RECOMMENDATIONS

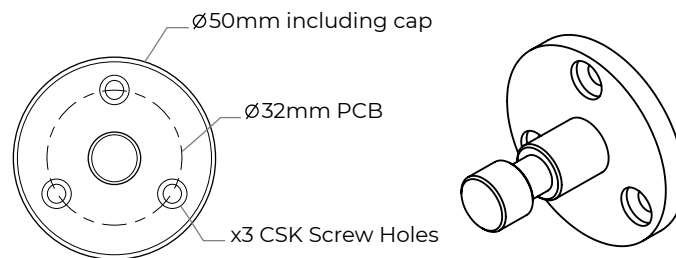
When fitting Maddox into alcoves, nooks or between surfaces, please ensure the minimum clearance as shown here.



Maddox Bush Flange load rating and fixings.

The Maddox Bush Flange is screw fixed to its position. Screws provided are 8G x 20mm to suit most applications.

Longer screws, wall plugs or wall anchors may be needed at installers discretion.



50kg load per Bush Flange

Always supplied in Brass

Bush flange + Cover Cap dimensions

Maddox mounting surfaces.

Whatever Maddox is fixed to, it must have sufficient structure to take the weight of the Maddox unit and items being placed on it.

Suitable surfaces may include Timber, Ply or Engineered Timbers, Masonry and Concrete.

### CAUTIONS

Plasterboard – Requires sufficient timber battens or timber panelling

Tile – Maddox can be fitted to tiles. There needs to be sufficient rigid structure behind the tiled surface for it to be fixed to.

Maddox can not be fixed directly to glass or mirror.

If you have any further questions please contact our sales team  
 Email - [hello@savagedesign.com.au](mailto:hello@savagedesign.com.au)  
 Call - +61 2 9681 7888 (Mon - Fri 9am - 5pm AEST)



**SHOWROOM** - Surry Hills  
**FACTORY** - Fairfield  
New South Wales, Australia

[hello@savagedesign.com.au](mailto:hello@savagedesign.com.au)



**S V A G E DESIGN**

**ENGINEERED BEAUTY**  
**SINCE 1910 / SYD - AUS**