

S VAGE DESIGN

MADDOX FOOT RAIL PRODUCT PROFILE

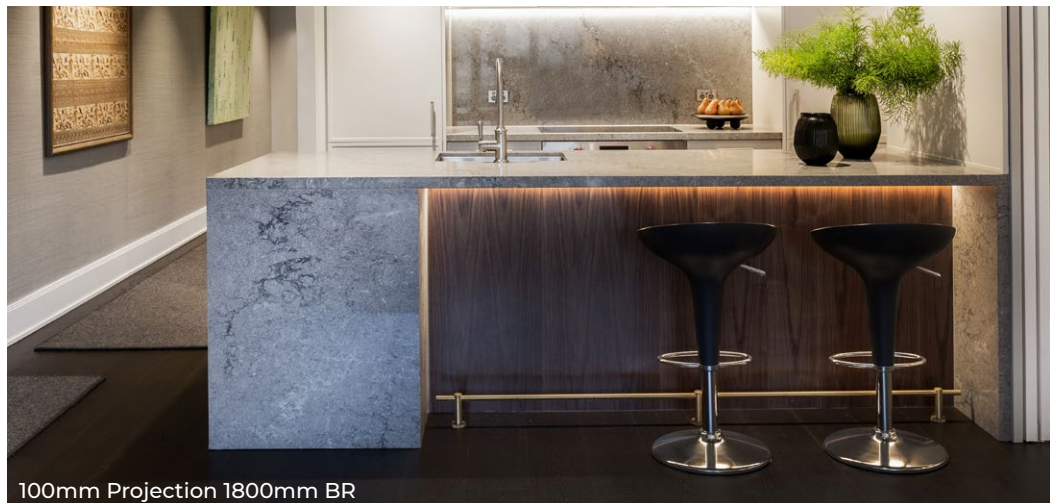
ENGINEERED BEAUTY
SINCE 1910 / SYD - AUS



MADDOX FOOT RAIL

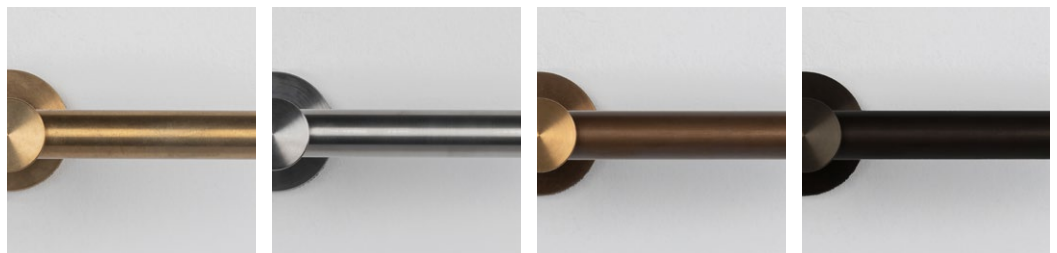
PROFILE

A refined, standalone foot rail designed for kitchens, residential bars, and hospitality environments. Available in lengths of 100mm increments, it offers a flexible solution for protecting joinery from foot traffic, stool impact, and everyday wear. The clean, architectural form introduces a considered horizontal line, integrating seamlessly across both residential and commercial interiors.. The Maddox System is a carbon neutral product.



FINISHES

Choose from our four signature finishes*



Brass (BR)

Stainless Steel (SS)

Aged Bronze (BO)

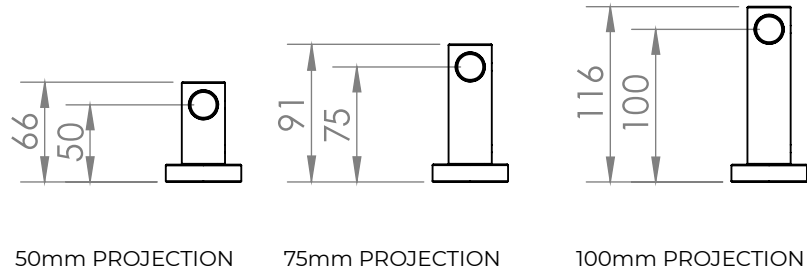
Blackened Brass (BB)

* Our metals are all living finishes. Find out more here - savagedesign.com.au/portfolio/living_finishes/

DIMENSIONS

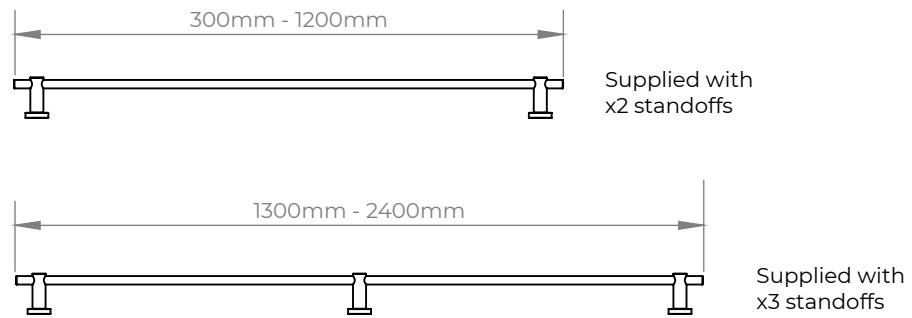
Projection is measured from mounting surface to the center of the rail.

PROJECTION



LENGTH

Available in 100mm increments, our rails are made from solid material and feature our dial finish on each end.

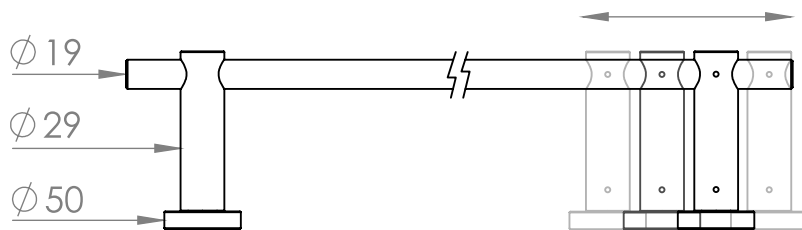


DIAMETERS

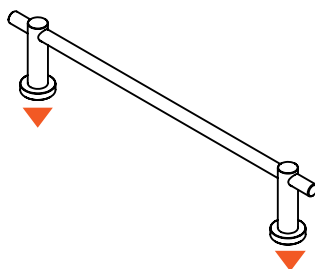
Standoff and rail dimensions

Standoffs are movable and can be placed any where along the rail.

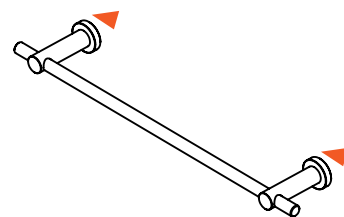
Max 900mm between Standoffs. Max overhang is 300mm. All supplied standoffs must be used.



INSTALLATION OPTIONS



FLOOR



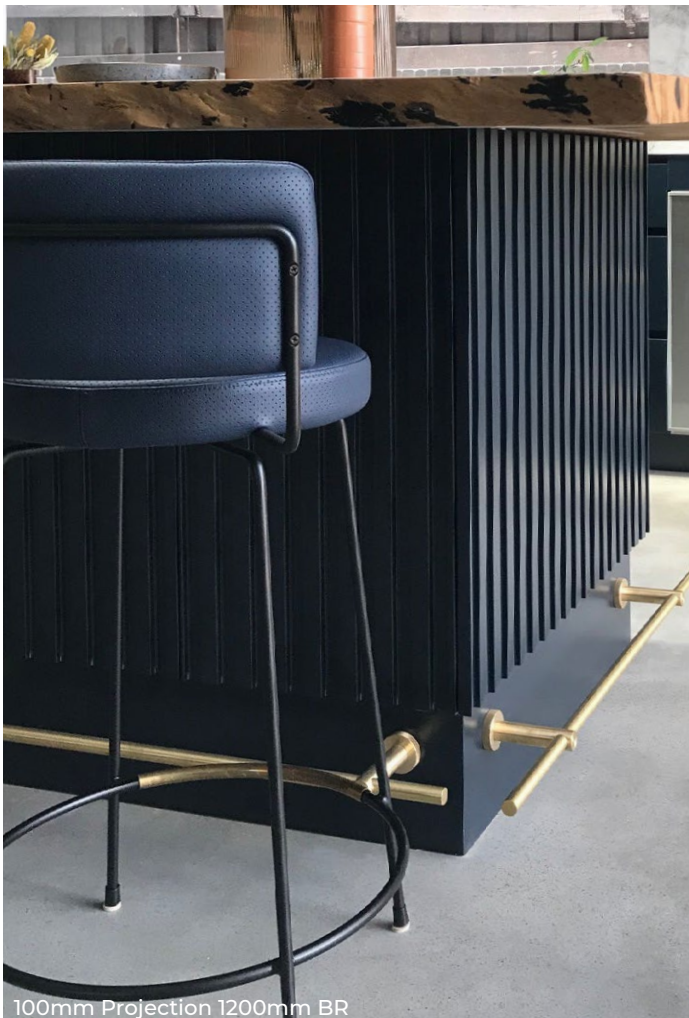
JOINERY



100mm Projection 2400mm BR



100mm Projection 2100mm BR



100mm Projection 1200mm BR



100mm Projection 900mm BR

FAQ'S

Can I cut down the rail on site?

It is not recommended that the our rails be cut down on site. Our rails are made from solid material and feature our dial finish on each end. Tailored lengths can be quoted on request.

What is the position of the standoffs?

Our standoffs can be moved to suit the application. They slide along the rail and are locked into position with the supplied grub screw.

The maximum distance recommend between standoffs is 900mm center to center with a maximum overhang of 300mm. All supplied standoffs must be used.

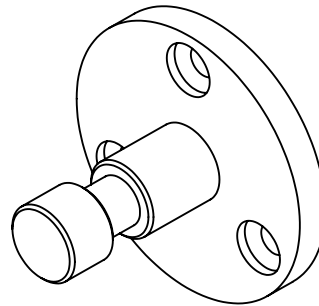
How much weight can a rail hold?

300mm - 1200mm: 50 kgs
1300mm - 2400mm: 75 kgs

The Maddox Bush Flange is screw fixed to its position. Screws provided are 8G x 20mm to suit most applications. Longer screws, wall plugs or wall anchors may be needed at installers discretion.

Maddox Bush Flange

Always supplied in
Stainless Steel



What surface can I mount the rail to?

Whatever Maddox is fixed to, it must have sufficient structure to take the weight of the Maddox unit and items being placed on it.

Suitable surfaces may include Timber, Ply or Engineered Timbers, Masonry and Concrete.

CAUTIONS

Plasterboard – Requires sufficient timber battens or timber paneling

Tile – Maddox can be fitted to tiles. There needs to sufficient rigid structure behind the tiled surface for it to be fixed to.

Maddox can not be fixed directly to glass or mirror.

If you have any further questions please contact our sales team
Email - hello@savagedesign.com.au
Call - +61 2 9681 7888 (Mon - Fri 9am - 5pm AEST)



SHOWROOM - Surry Hills
FACTORY - Fairfield
New South Wales, Australia

hello@savagedesign.com.au



S V A G E DESIGN

ENGINEERED BEAUTY
SINCE 1910 / SYD - AUS