

SAVAGE DESIGN

ENGINEERED BEAUTY



**MADDOX - DUAL WALL HOOK & TOILET ROLL HOLDER
PRODUCT PROFILE**

MADDOX S-HOOK

Combining 5 components from the Maddox System, Savage Design offers the Maddox toilet roll holder, dual toilet roll holder and dual toilet dual wall hook. Each configuration epitomises Savage Design's dedication to **Engineered Beauty**.

All three items can be wall mounted or fixed to joinery by three screws that are then hidden by the knurled cover cap.

Maddox Dual Wall Hook
Brass



Maddox Dual Toilet Roll Holder
Stainless Steel

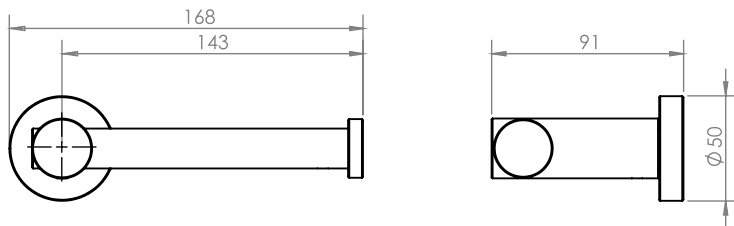


Maddox Toilet Roll Holder
Aged Bronze

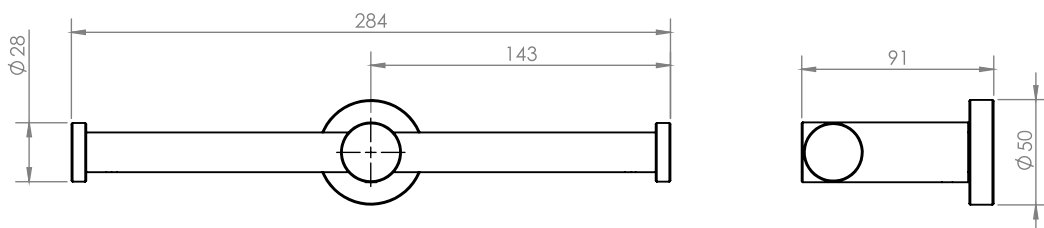


DIMENSIONS

Toilet Roll Holder

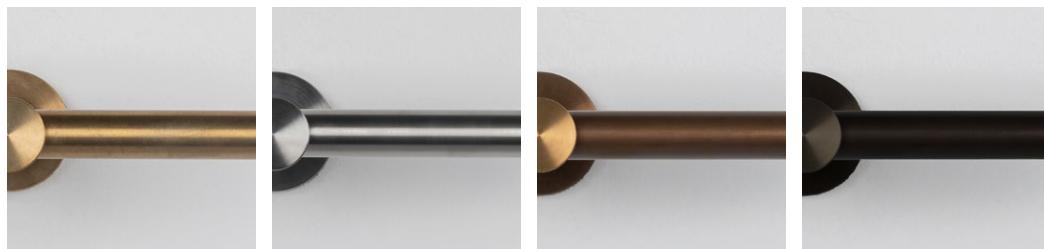


Dual Toilet Roll Holder & Dual Wall Hook



FINISH

Choose from our signature materials and finishes*



Brass

Stainless Steel

Aged Bronze

Blackened Brass

CARE INSTRUCTIONS

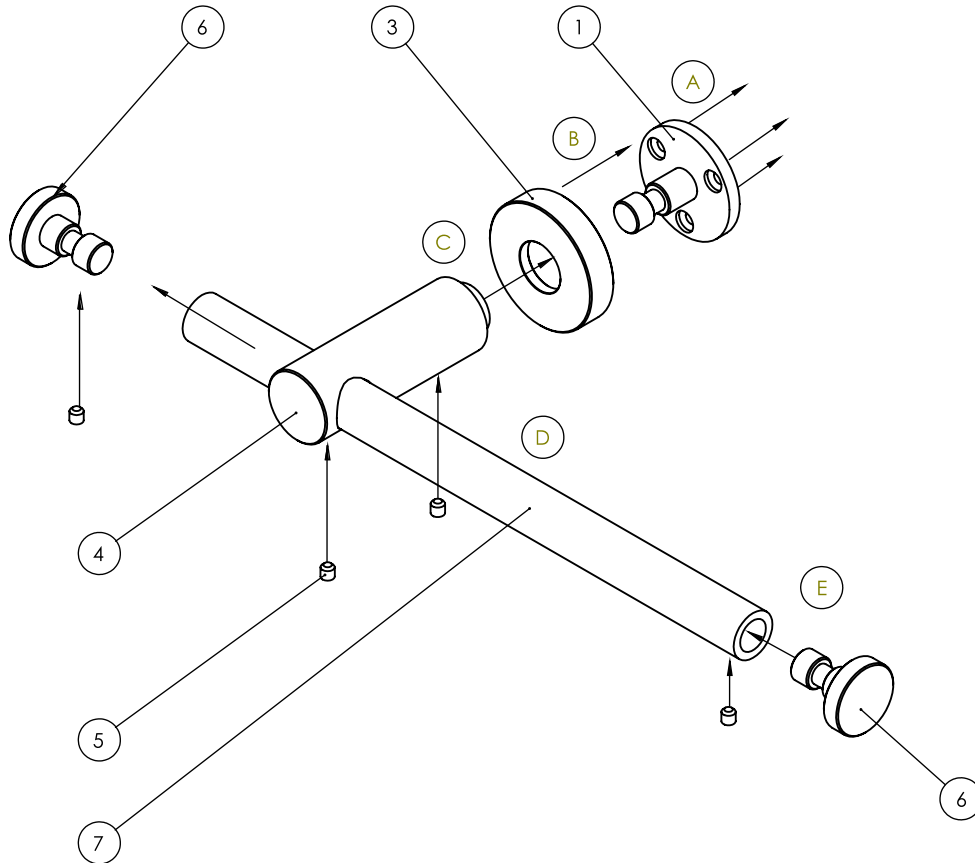
Dust with a clean micro fiber cloth.
Wipe down with a damp micro fiber cloth.
Dry surface after cleaning with a clean cloth.

Warm mild soapy water can be used on stubborn dirt. Do not use abrasives. Do not use harsh chemicals.

* Our metals are all living finishes. Find out more here - savagedesign.com.au/portfolio/living_finishes/

SAVAGE DESIGN

ITEM NO.	DESCRIPTION	QTY.
1	Bush Flange	1
2	8G x 20mm CSK Screw SS	3
3	Flange Cover	1
4	75mm Stand Off	1
5	M5 x 5mm Grub Screw Stainless 304	4
6	End cap	2
7	270mm	1



MADDUX DUAL TOILET ROLL HOLDER / DUAL WALL HOOK INSTALLATION

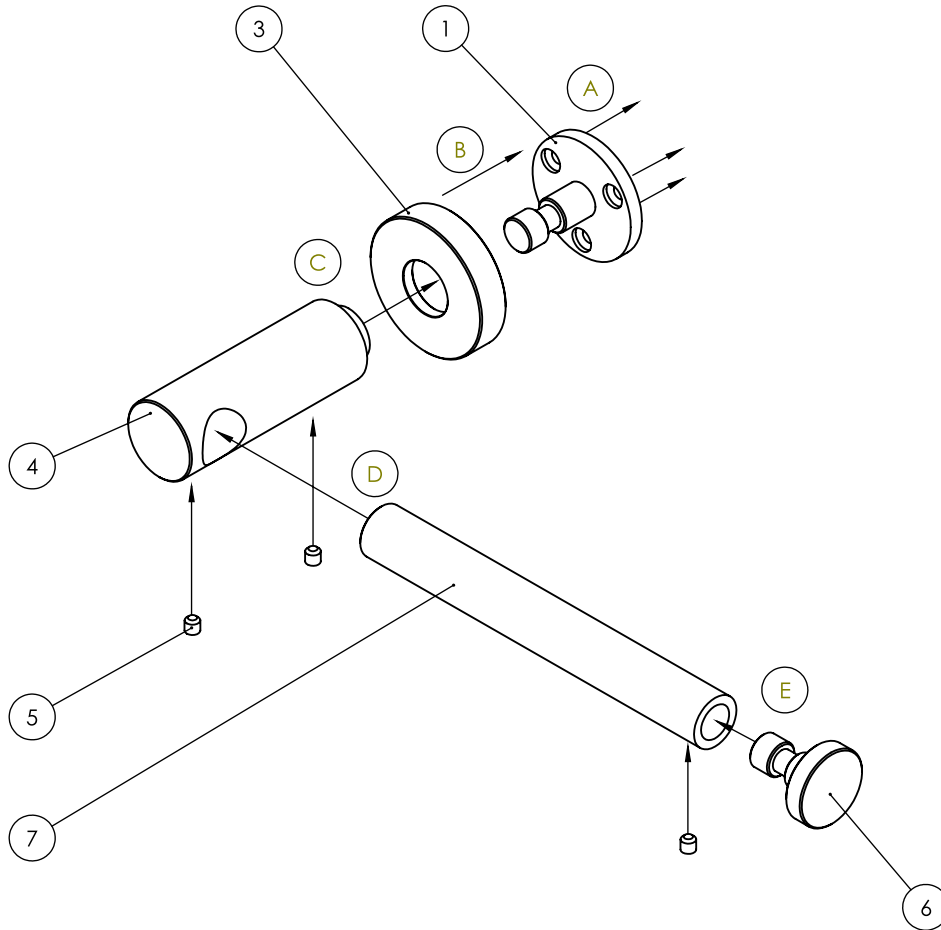
Measure and mark out the position of the flanges on the area the rail is being installed.

- (A) Screw fix flange into place with x3 screws*
- (B) Screw on cover cap to each flange
- (C) Slide standoff onto the flange and screw in grub screw. do not tighten yet.
- (D) Pick rail up and slide into place to the center of the stand off. Screw in grub screw and tighten.
- (E) Insert end caps at each end of rail. Screw in grub screw and tighten

Make sure rail is level and then tighten the grub screw holding the stand off to the flange

*Screw provided may not suit all scenarios. Longer 8G screws maybe needed or plugs may need to be inserted into place before screwing the flange down.

ITEM NO.	DESCRIPTION	QTY.
1	Bush Flange	1
2	8G x 20mm CSK Sxrew SS	3
3	Flange Cover	1
4	75mm Stand Off	1
5	M5 x 5mm Grub Screw Stainless 304	3
6	150mm	1
7	End cap	1



MADDOX TOILET ROLL HOLDER INSTALLATION

Measure and mark out the position of the flanges on the area the rail is being installed.

- (A) Screw fix flange into place with x3 screws*
- (B) Screw on cover cap to each flange
- (C) Slide standoff onto the flange and screw in grub screw. do not tighten yet.
- (D) Pick rail up and slide into place on left or right side. Screw in grub screw and tighten.
- (E) Insert end cap. Screw in grub screw and tighten

Make sure rail is level and then tighten the grub screw holding the stand off to the flange

*Screw provided may not suit all scenarios. Longer 8G screws maybe needed or plugs may need to be inserted into place before screwing the flange down.