



CHLOE PULL

Inspired by the cuff link, Chloe is a joinery pull designed to be the perfect accessory for your doors and drawers.

Made from solid brass or stainless steel in our Sydney factory, Chloe's front square face is skilfully machined leaving a dial finish. To round out of signature finishes Chloe can also be found in the earthy aged bronze, our pre aged finish.

The projection of Chloe's cylindrical neck not only allows for fingers to grip behind the face, but also allows the pull to act as a wall hook ideal in the kitchen for tea towels and aprons or in closets for robes.

Chloe is surface mounted from the back through the door or draw but if you are after something a little more refined than route a small pocket in the joinery and Chloe's circular flange can sit flush within the door or draw.



Brass (BR)

Aged Bronze (BO)

Blackend Brass (BB)

Stainless Steel (SS)

MATERIAL

Solid Brass*
Solid Stainless Steel
Aged Bronze*
Blackened Brass*

* Living finish

SUPPLIED

1 x Pull / 1 x Screw (M4 x 25mm csk stainless steel)

Rear Fixing.

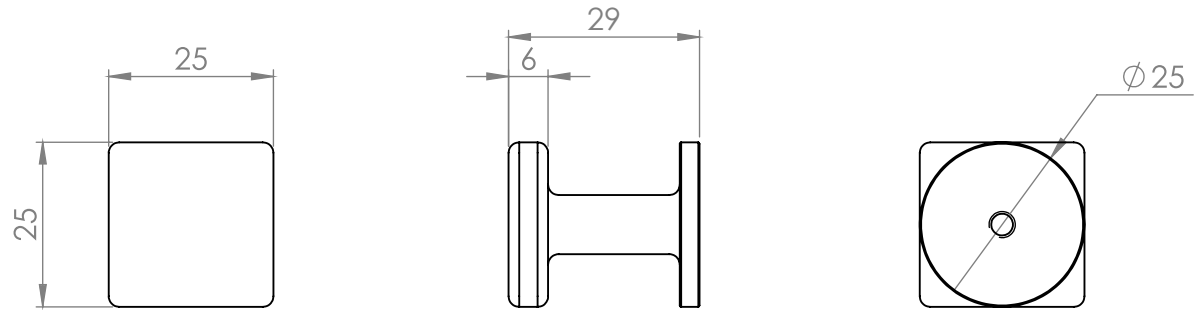
Screws provided suit doors / drawers 16mm - 18mm Thick.

INSTALLATION

Door or drawer - \varnothing 6mm hole.

**DIMENSIONS
WEIGHTS**

50g approx.

**CARE INSTRUCTION**

Dust with a clean micro fiber cloth. Wipe down with a damp micro fiber cloth.

Do not use abrasives. Do not use harsh chemicals. Warm mild soapy water can be used on stubborn dirt.

Dry surface after cleaning with a clean cloth.

LIVING FINISHES

This product is made from raw material and will patina over time and with use. To find out more visit:

savagedesign.com.au/portfolio/living_finishes/