

SAVAGE DESIGN

ENGINEERED BEAUTY



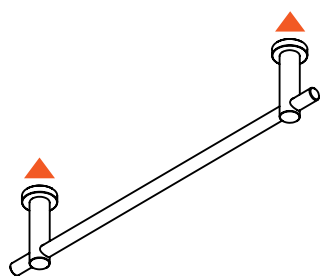
DESIGN WITH MADDOX - PROJECTION RAILS

WELCOME TO MADDOX

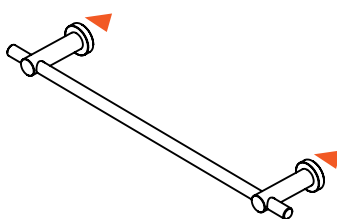
Combining 4 components from the Maddox System, Savage Design offers a collection of projection rails that can be used as hanging rails and foot rails. Each configuration epitomises Savage Design's dedication to **Engineered Beauty**.

Projection rails can be used as drying rails, utensil rails, foot rails, hanging rails for wardrobes and can be mounted in the following ways:

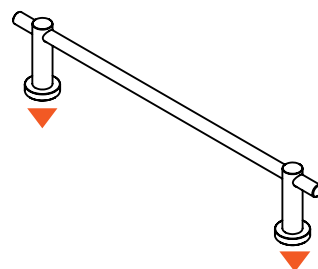
CEILING / JOINERY



WALL / JOINERY



FLOOR / BENCH



Follow these 3 steps on our specification sheet pg 4 to choose your Maddox projection rail solution.

① PROJECTION

② LENGTH

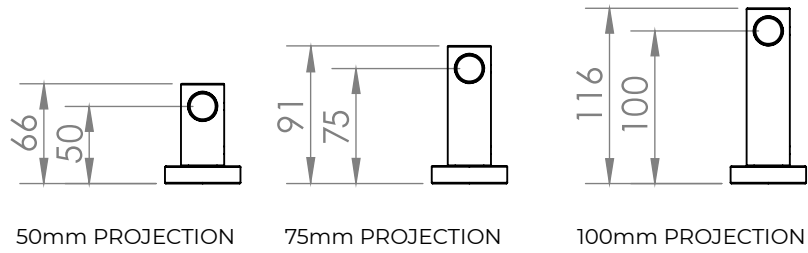
③ FINISH

Maddox components being machined by our engineers in our Sydney factory.



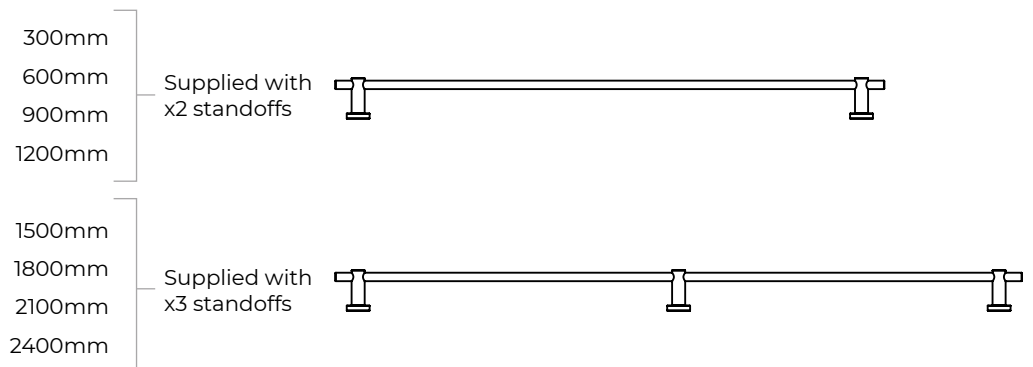
1 PROJECTION

Projection is measured from mounting surface to the center of the rail.



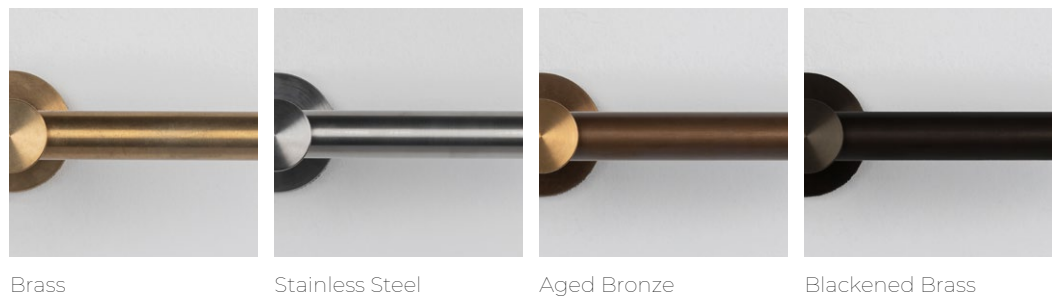
2 LENGTH

Our rails are made from solid material and feature our dial finish on each end.



3 FINISH

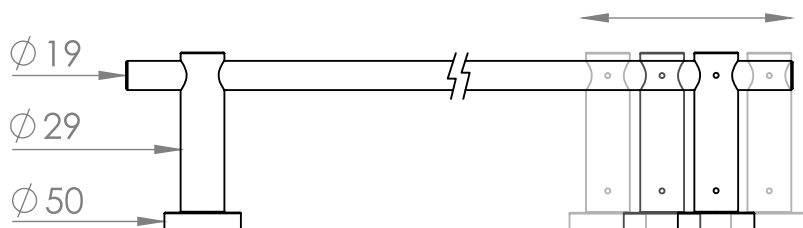
Choose from our four signature finishes*



Standoff and rail dimensions

Standoffs are movable and can be placed anywhere along the rail.

Max 1200mm between Standoffs. Max overhang is 300mm.



* Our metals are all living finishes. Find out more here - savagedesign.com.au/portfolio/living_finishes/

SPECIFICATION SHEET

① PROJECTION

- 50mm Projection
- 75mm Projection
- 100mm Projection

② LENGTH

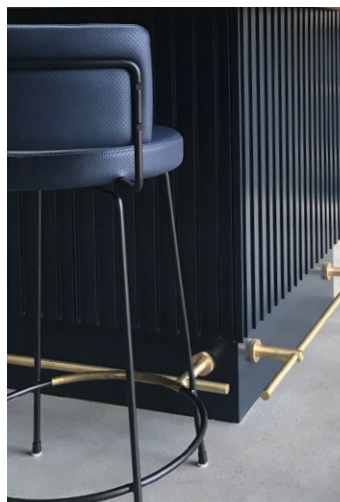
- 300mm
- 600mm
- 900mm
- 1200mm
- 1500mm
- 1800mm
- 2100mm
- 2400mm

③ FINISH

- Brass
- Aged Bronze
- Stainless Steel
- Blackened Brass

ACCESSORIES

- S Hooks Pack of x4
- Extra Standoff



FAQ'S

Can I cut down the rail on site?

It is not recommended that the our rails be cut down on site.

Our rails are made from solid material and feature our dial finish on each end.

Tailored lengths can be quoted on request.

What is the position of the standoffs?

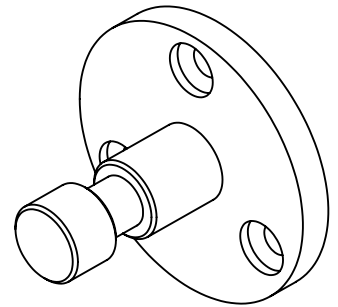
Our standoffs can be moved to suit the application. They slide along the rail and are locked into position with the supplied grub screw.

The maximum distance recommend between standoffs is 1200mm center to center with a maximum overhang of 300mm.

How much weight can a rail hold?

The Maddox Bush Flange is screw fixed to its position. Screws provided are 8G x 20mm to suit most applications.

Longer screws, wall plugs or wall anchors may be needed at installers discretion.



50kg load per Bush Flange

Always supplied in Brass

What surface can i mount the rail to?

Whatever Maddox is fixed to, it must have sufficient structure to take the weight of the Maddox unit and items being placed on it.

Suitable surfaces may include Timber, Ply or Engineered Timbers, Masonry and Concrete.

CAUTIONS

Plasterboard – Requires sufficient timber battens or timber paneling

Tile – Maddox can be fitted to tiles. There needs to sufficient rigid structure behind the tiled surface for it to be fixed to.

Maddox can not be fixed directly to glass or mirror.

If you have any further questions please contact our sales team
 Email - hello@savagedesign.com.au
 Call - +61 2 9681 7888 (Mon - Fri 9am - 5pm AEST)