

ADAMAS UP DOWN WALL LIGHT

A continuation from the pendant version, this up down variation of Adamas wall light is machined from solid materials. The knurled outer leaves a pattern from which the pendant gets its name Adamas, ancient Greek for diamond. Recessed up inside is an Australian designed LED module with a life time of 50,000 hours for indoor use.





Brass (BR)



Aged Bronze (BO)



Blackened Brass (BB)



Stainless Steel (SS)

MATERIAL

Solid Brass*
 Solid Stainless Steel
 Aged Bronze*
 Blackened Brass*

Cord - Black Braided Textile

* Living finish

SUPPLIED

Metal shade
 LED Modules (phase cut dimable)
 Driver
 Bush
 Wall Screw
 Grub Screw
 2m Flex cord - Black

INSTALLATION

Must be installed by a qualified electrician

LIGHT SOURCE

LED Module - 3000k warm white (450 Lumen)

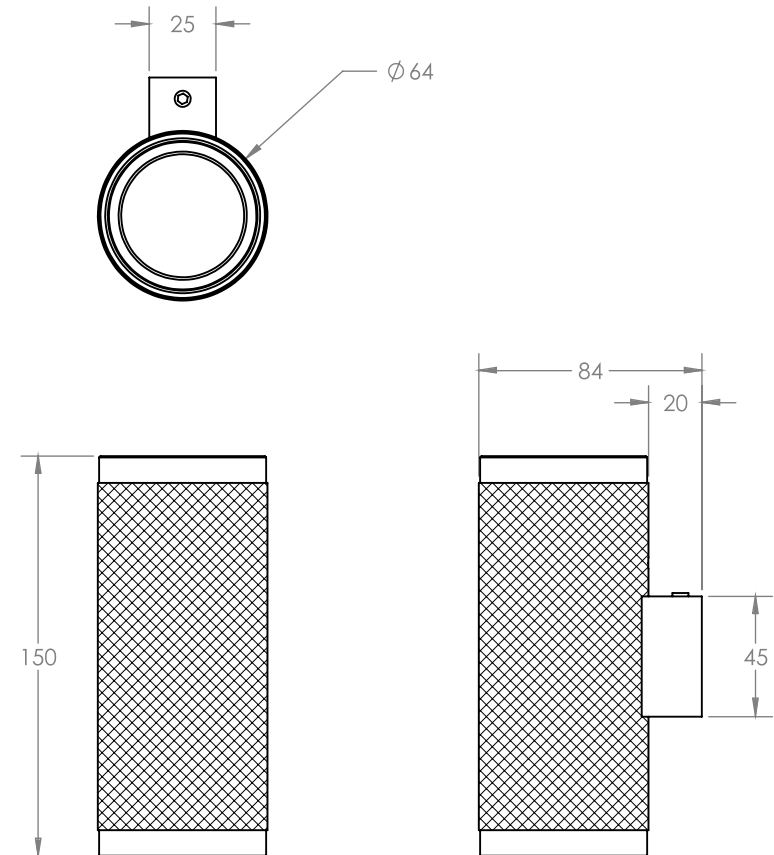
VOLTAGE

240v - Mains must be connected to driver
 DO NOT connect light directly into mains

WEIGHT

1.3 kg each

DIMENSIONS



CARE INSTRUCTION

Dust with a clean micro fiber cloth. Wipe down with a damp micro fiber cloth. Do not use abrasives. Do not use harsh chemicals. Warm mild soapy water can be used on stubborn dirt. Dry surface after cleaning with a clean cloth.

LIVING FINISHES

This product is made from raw material and will patina over time and with use. To find out more visit:

savagedesign.com.au/portfolio/living_finishes/